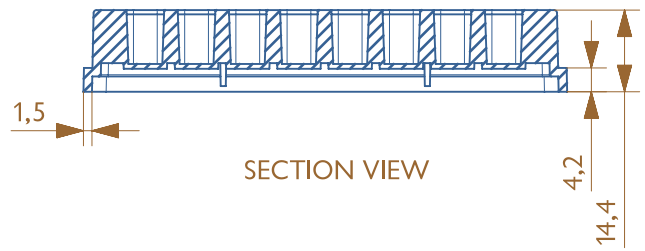
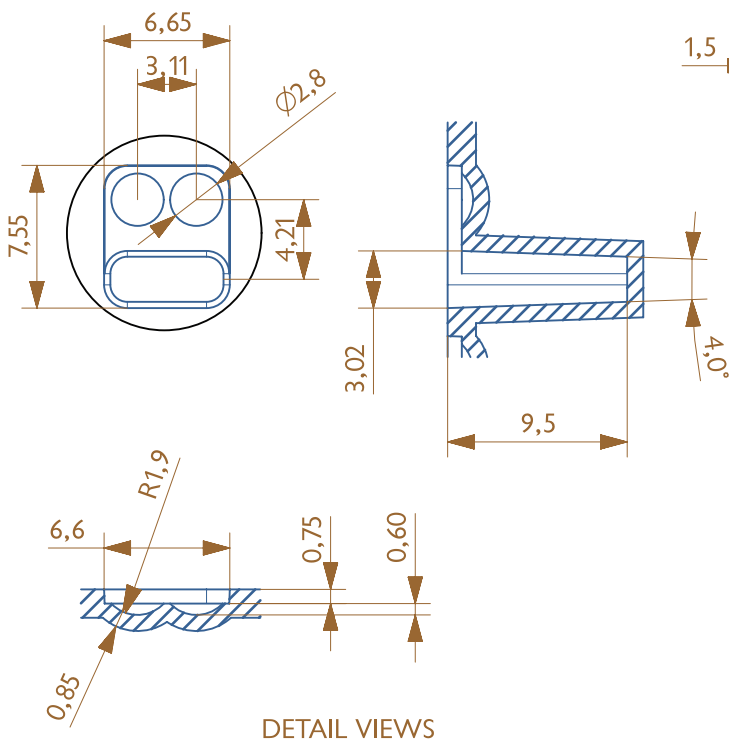
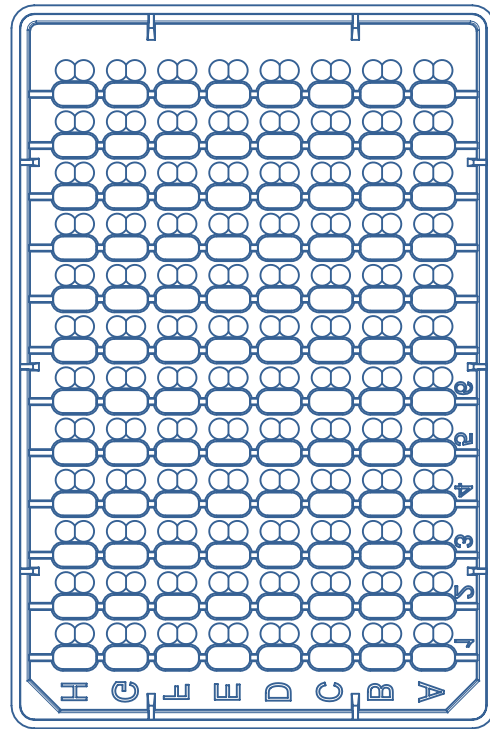
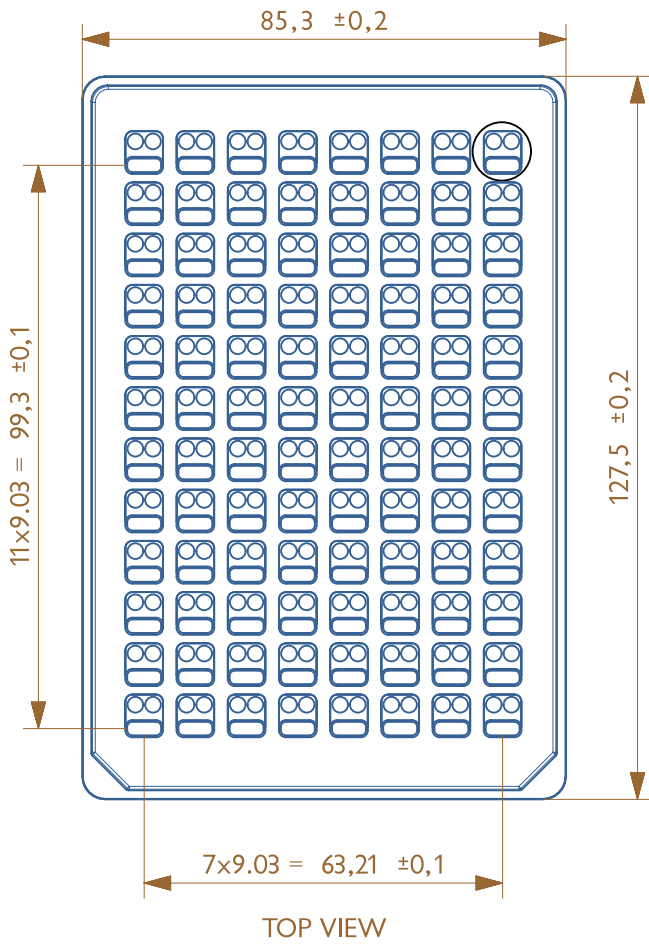


MRC

2 Well Crystallisation Plate

SWISSCI



sales@swissci.com

UVXPO 2 Lens Crystallisation Plate

SWISSCI

The SWISSCI UVXPO 2 Lens Crystallisation Plate is made from a new polymer mixture that means crystals can be viewed in UV, Polar and Visible light.

UVXPO is short for UV compatible as well as excellent uniform (zero) background when using cross polarised light.

The SWISSCI 2 Lens Crystallisation Plate offers unique properties that make it ideal for both nanolitre crystallisation screening and microlitre optimisation alike. Made from optically superior polymer and with a new design of the wells, the plate allows easy crystal viewing and retrieval.



The Advantages of the UVXPO Crystallisation Plate

Easy crystal retrieval

Raised wide wells make the crystal mounting especially easy.

Easy viewing

Crystals can be viewed in UV, Polar and Visible light.

Uniform (zero) background when using cross polarised light.

The wells are a wide conical shape and have a lens effect for perfect illumination.

Micro-numbering ensures you will never get lost again (visible by microscope).

The optically superior polymer is UV transmissible and may be used to differentiate between salt and protein crystals.

Better sealing

Wide partition walls between the wells give plenty of area for good sealing with tape.

No central bending occurs in this very robust structure.

Excellent long term storage - no sample evaporation.

Wide range of volumes

Typical volumes are 50-100 μ l of reservoir and 50 nl-5 μ l drop size. The 192 optical wells offer twice the number of experimental constructions.

ANSI/SLAS 1-2004 Standard

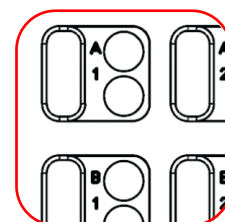
The plates are designed to the 96-well ANSI/SLAS 1-2004 standards for all common holders and external numbering (A-H, 1-12) with corner location sampler make the plate easy to use in a robotic sampler.

The UVXPO plate is suitable for centrifugation.

The unique 2 drop protein crystallisation plate offers a new way of sitting-drop crystallography.

The 192 wells are optically perfect designed to observe crystals under a microscope.

The wells are doubled, providing an unique security of growing crystals.



UVXPO plate features

Easy to fill 96-well structure - typically 85 μ l per buffer well.

Standard ANSI/SLAS 1-2004 form for automation.

Optically perfect wells with lens effect for a better view with microscope.

Microscopic identifier within wells, simplifying the orientation under the microscope.

Maximum volume of the buffer reservoir is 100 μ l, typically 100 nanolitres is used for the protein well filling.

Grown crystals are easy to identify and to remove from well due to a low-binding polymer.

Plate with 2 wells for each sample, better growing security with duplicates or the ability to use well two as a mixing station.

Wells fill without micro-droplets jumping out due to static effects.

Wells can be individually sealed with a perfectly flat upper surface - there is a large land area designed to ensure integrity of each well section.

Clean room produced ensuring no dust particles are in the product.

sales@swissci.com

Box of 100 - Code UVXPO-2LENS