

# Intelli-Plate™ 96-3 LVR



## Specifications

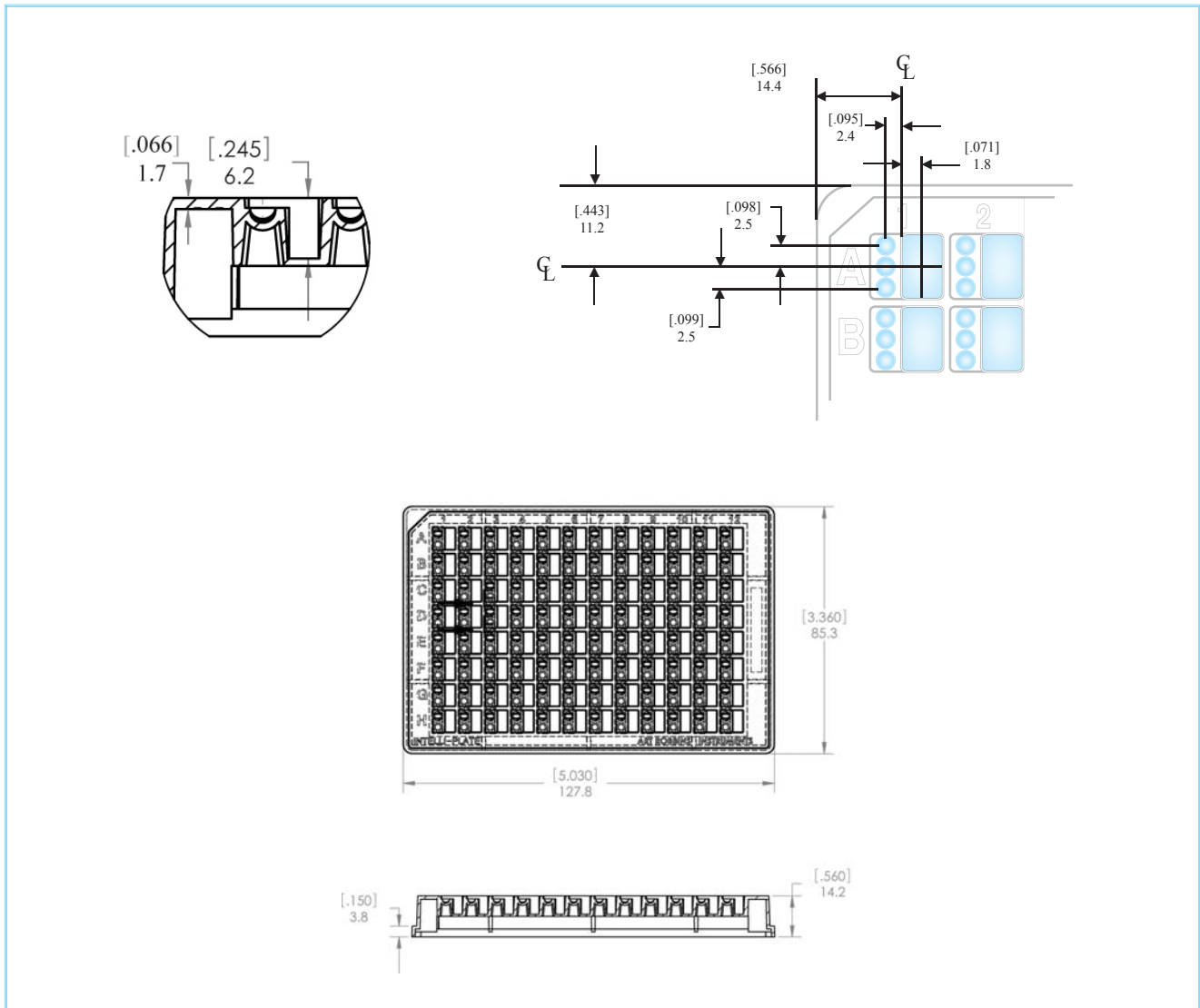
### Intelli-Plate 96-3 LVR

The Intelli-Plate 96-3 LVR (Art Robbins 102-0001-03) is a Low Volume Reservoir version of the Intelli-Plate 96-3. Reservoir volume: 100 µl max. Well volume: 1 µl max.

### Hampton Research Catalog Number:

HR3-183 - Per Pack: 10

HR3-185 - Per Case: 40



Hampton Research

34 Journey

Aliso Viejo, CA 92656-3317 U.S.A.

Tel: (949) 425-1321 • Fax: (949) 425-1611

Technical Support e-mail: [tech@hrmail.com](mailto:tech@hrmail.com)

Website: [www.hamptonresearch.com](http://www.hamptonresearch.com)

© 1991-2010 Hampton Research Corp. all rights reserved  
Printed in the United States of America. This guide or  
parts thereof may not be reproduced in any form without  
the written permission of the publishers.